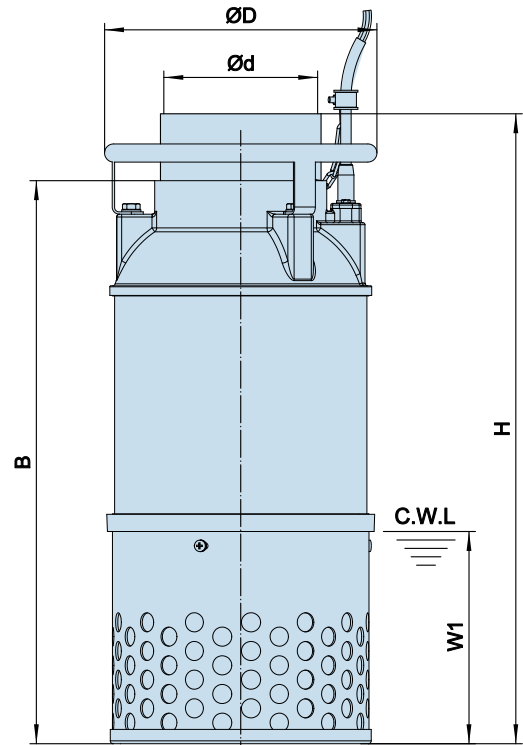
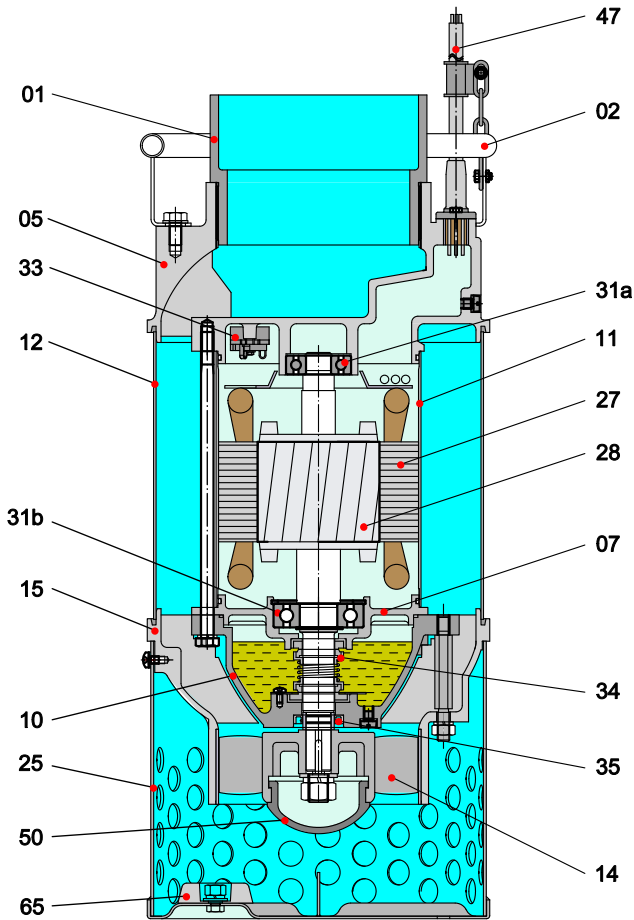


KA Large flow seawater pump



W1:Continuous running water level

Material of construction

Item No.	Part name	Material	Item No.	Part name	Material
01	Discharge connection	PVC-U	28	Rotor	Shaft: AISI316LSS
02	Handle	AISI304SS	31a	Bearing	Ball bearing
05	Upper cover	Cast iron	31b	Bearing	Ball bearing
07	Bearing house	Cast iron	33	Motor protector	
10	Seal house	Cast iron	34	Mechanical seal	KA(M)4.75:SiC-Ceramic/Carbon-Ceramic KA62.2:SiC-SiC/Carbon-Ceramic
11	Motor casing	AISI316LSS	35	Oil seal	
12	Outer casing	AISI304SS	47	Cable	H07RN-F
14	Impeller	AISI444SS	50	Sealing bowl	NBR
15	Diffuser	Cast iron	65	Cathodic protection plate	Aluminum die casting
25	Strainer	AISI304SS			
27	Stator				

Dimensions & weights

Model (50Hz)	d	B	D	H	W1	N.W	G.W	Packing dimension mm
	mm	mm	mm	mm	mm	Kg	Kg	
KA61.5	150	602	285	672	200	47	51	750×320×345
KA62.2	150	602	285	672	200	50	54	750×320×345

• KA: Three phase